

DL-3148-025

Features

- Short wavelength : 635nm(Typ.)
- Low threshold current : I_{th} = 20mA(Typ.)
- Output power : 5mW at 40°C(CW)
- Low operating voltage : V_{op} = 2.2V(Typ.)

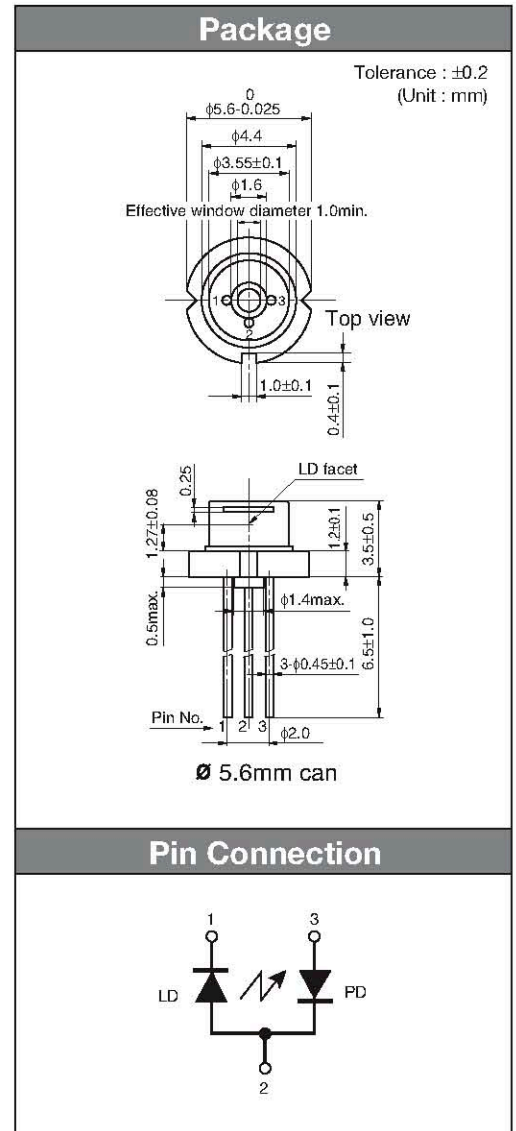
Applications

- Laser pointer

Absolute Maximum Ratings

(T_c=25°C)

Parameter		Symbol	Ratings	Unit
Light Output	CW	P _o	6	mW
Reverse Voltage	Laser	V _R	2	V
	PD		30	
Operating Temperature		T _{opr}	-10 to +40	°C
Storage Temperature		T _{stg}	-40 to +85	°C



Electrical and Optical Characteristics *1 *2

(T_c=25°C)

Parameter		Symbol	Condition	Min.	Typ.	Max.	Unit
Threshold Current		I _{th}	CW	-	20	35	mA
Operating Current		I _{op}	P _o =5mW	-	30	45	mA
Operating Voltage		V _{op}	P _o =5mW	-	2.2	2.4	V
Lasing Wavelength		L _p	P _o =5mW	630	635	640	nm
Beam *3 Divergence	Perpendicular	Q _v	P _o =5mW	25	30	35	°
	Parallel	Q _h	P _o =5mW	6	8	10	°
Off Axis Angle	Perpendicular	dQ _v	P _o =5mW	-3	-	3	°
	Parallel	dQ _h	P _o =5mW	-3	-	3	°
Differential Efficiency		SE	P _o =5mW	-	0.5	-	mW/mA
Monitoring Output Current		I _m	P _o =5mW	0.08	0.25	0.5	mA

*1 : Initial values. *2 : All the above values are evaluated with Tottori SANYO's measuring apparatus.

*3 : Full angle at half maximum.

◆ Specifications and information herein are subject to change without notice. Therefore, You should confirm "Specifications sheet" that you intend to use.